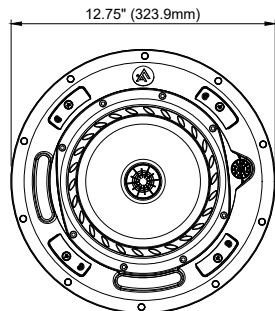
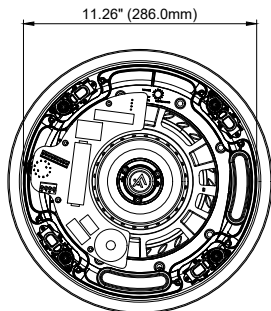


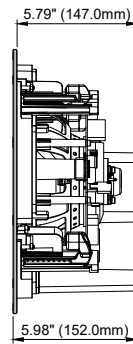
FC-8DRV



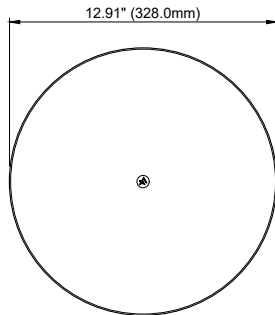
Front View



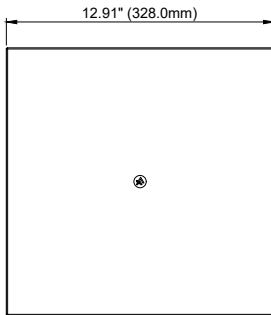
Rear View



Side View

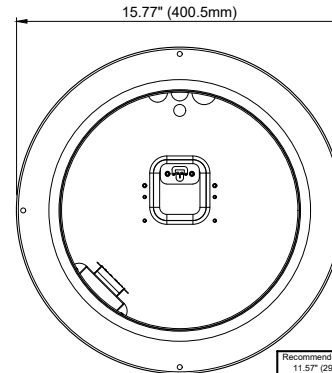


Round Grille



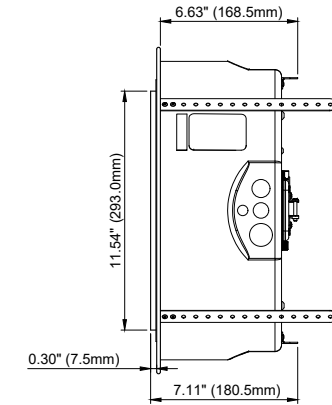
Square Grille

FC-8PIC

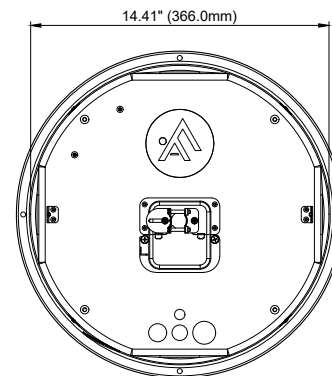


Back Can Front View

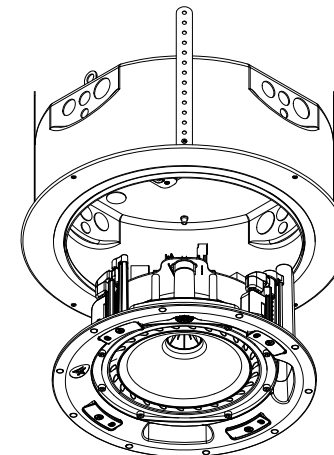
Recommended Cutout:
11.57" (293.9mm)



Back Can Side View



Back Can Rear View



Isometric View



A MITEK COMPANY
1601 Jack McKay Blvd.
Phone: (800) 876-3333
Web: www.atlasied.com
Email: support@atlasied.com

PROPRIETARY AND CONFIDENTIAL

THE INFORMATION CONTAINED IN THIS DRAWING IS THE SOLE PROPERTY OF MITEKCORP. ANY REPRODUCTION IN PART OR AS A WHOLE WITHOUT THE WRITTEN PERMISSION OF MITEKCORP IS PROHIBITED.

DATE: April 5, 2026 SCALE: N.T.S.

MODEL: FC-8TPI REV: A