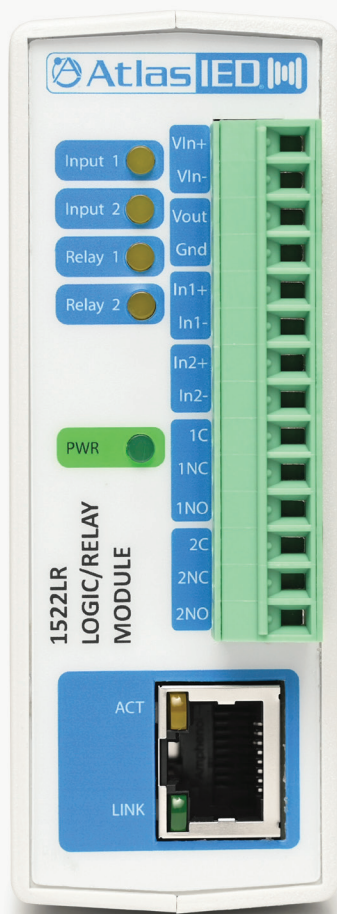


IP-1522LR

LOGIC / RELAY MODULE

QUICK START GUIDE

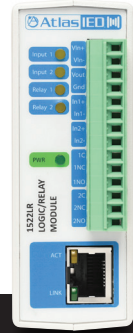




IP-1522LR

LOGIC / RELAY MODULE

QUICK START GUIDE



WELCOME

Thank you for choosing AtlasIED and the IP-1522LR Logic / Relay Module. The IP-1522LR Logic / Relay Module is a cost-effective interface module that operates as an integral part of an IPX based InformaCast system. It is a web-enabled, programmable relay device for a wide variety of remote control and automation applications. It has two electro-mechanical relays and two optically-isolated inputs. The optically-isolated inputs can be used to trigger actions or as logic monitor points that will register faults in the system. The module receives its power over IEEE 802.3af PoE and communicates with other system devices over the Ethernet network.

IP-1522LR

LOGIC / RELAY MODULE



QUICK START GUIDE

BASIC SETUP PROCEDURE

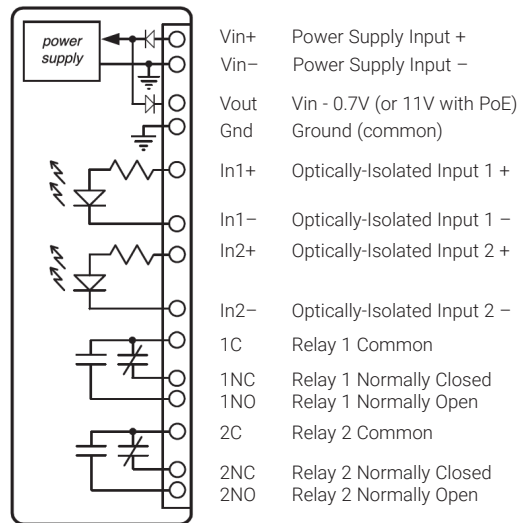
Consult the table below to begin the basic setup procedure for the relay module.

OUT OF THE BOX DEFAULT SETTINGS	
IP Address	192.168.1.46
Subnet Mask	255.255.255.0
Control Web Address	http://192.168.1.46
Setup Web Address	http://192.168.1.46/setup.html
Setup Username	admin
Setup Password	Atlas123
Control Password	No password set

In order to prepare the IP-1522LR for an InformaCast installation, follow the steps below to set a static IP address:

1. Connect unit to power and network.
2. Set up a computer in the same network as the input module. To do this, set the IP address of the computer to 192.168.1.x (where "x" can be any unused address between 1 and 174) with a netmask of 255.255.255.0.
3. Configure the IP-1522LR using a web browser. To do this, enter <http://192.168.1.46/setup.html>. The login username is admin and the password is Atlas123.
4. Set the permanent IP address, subnet mask, and (optionally) the gateway address in the setup page under the Network tab.
5. Submit the changes via Submit button on the web page.
6. Reset the IP-1522LR via either the Reset button on the web page or by removing and re-applying power to the unit.
7. Next, set the computer back to its original or desired network settings for the installation and verify that the IP-1522LR can be accessed at its new (permanent) IP address.
8. Proceed to connect logic inputs and relay outputs as needed for the application.

See below for the IP-1522LR Pinout Diagram.



IP-1522LR Pinout Diagram

IP-1522LR

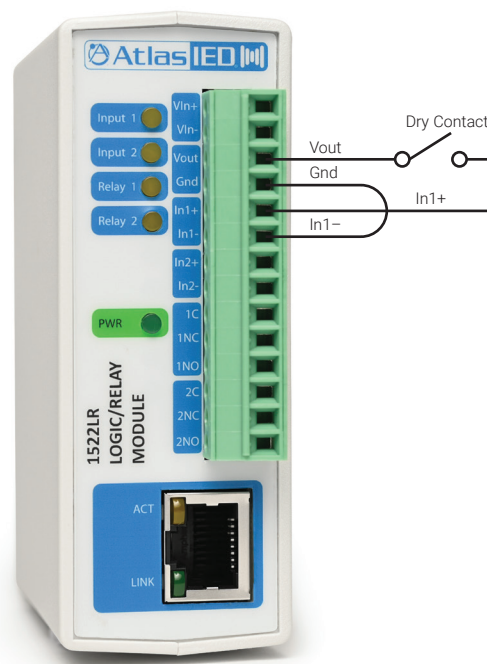
LOGIC / RELAY MODULE



QUICK START GUIDE

MAKING LOGIC CONNECTIONS

The logic inputs on the IP-1522LR are opto-isolated, which means they require a voltage differential to activate, not a simple open/closed condition. If connecting to dry contacts, a "wetting voltage" will have to be applied. The IP-1522LR has a built-in power supply and connections to supply just such a voltage. The proper way to connect a dry contact is to connect the power supply ground to the minus logic input and then connect the power supply voltage output to the plus logic input via the contact. This wiring arrangement is shown in the diagram below.



LOST IP ADDRESS

Initially, the IP-1522LR is assigned the default IP address of 192.168.1.46. If the IP has been set to something else and one does not know the IP address of an IP-1522LR, use the reset button default settings as described below.

IP-1522LR

LOGIC / RELAY MODULE



QUICK START GUIDE

RESET BUTTON

Note: Pressing the Reset Button changes the default settings to those listed in the table below, rather than the Out of Box Default Settings shown on the first page.

FACTORY RESET SETTINGS	
IP Address	192.168.1.2
Subnet Mask	255.255.255.0
Control Web Address	http://192.168.1.2
Setup Web Address	http://192.168.1.2/setup.html
Setup Username	admin
Setup Password	password
Control Password	No password set



In the event that the IP address or passwords are forgotten, the IP-1522LR may be restored to its reset button settings shown above. To do this, first remove the power from the unit. Next, carefully insert a thin object (such as a toothpick) through the small hole in the bottom of the unit to press the small button that is located inside the unit (see image above). When the object is inserted, a tactile feel can be detected as the button is depressed. While holding the button down, apply power and wait for about 10 seconds. After about 10 seconds, release the button. Now all settings will be as shown in the table above.

CAUTION – Do NOT use metal objects for this function.

After the unit has been reset, you must configure the network settings and password by using the table above for the unit to work with InformaCast. The setup password, "password" should be changed to a user defined password.

IP-1522LR

LOGIC / RELAY MODULE



QUICK START GUIDE

ADD A CONTACT CLOSURE TO INFORMACAST M2M

These settings are included in the Out of the Box Settings. For most installations only the Manager 1 Hostname/IP will need to change to the on premises InformaCast Server

Setting up SNMP Agent on AtlasIED IP-1522LR.

The SNMP agent is the server running on the module responsible for receiving SNMP requests and returning SNMP responses.

1. Go the **General Setting Tab > Advanced Network Settings**. In the SNMP Agent section, select **Yes** in the Enable field.

A screenshot of the 'SNMP AGENT' configuration page. The page has a light gray background and a white border. At the top left, there is a circular icon with a right-pointing arrow and the text 'SNMP AGENT'. The configuration fields are as follows: 'Enable:' with a radio button selected for 'Yes'; 'SNMP Version:' with a dropdown menu showing 'V1'; 'Agent Port:' with a text input field containing '161'; 'Agent Read Community:' with a text input field containing 'InformaCastM2M'; 'Agent Write Community:' with a text input field containing 'InformaCastM2M'; 'SNMP Manager 1 Enable:' with a radio button selected for 'Yes'; 'Manager 1 Hostname/IP:' with a text input field containing '192.168.1.209'; 'Manager 1 Port:' with a text input field containing '162'; 'Manager 1 Community:' with a text input field containing 'InformaCastM2M'; 'SNMP Manager 2 Enable:' with a radio button selected for 'No'; and 'MIB File:' with a button labeled 'Generate and Download MIB File'.

2. In the SNMP Version field, Select **V1**.
3. In the Agent Port field, **161**.
4. In the Agent Read Community field, enter **InformaCastM2M**.
5. In the Agent Write Community field, enter **InformaCastM2M**.
6. In the SNMP Manager 1 Enable field, Select **Yes**.
7. In the Manager 1 Hostname/IP field, enter the IP address of the InformaCast On-Premises Server.
8. In the Manager Port 1 field, **162**.
9. In the Manager 1 Community field, enter **InformaCastM2M**.
10. In the SNMP Manager 2 Enable field, Select **No**.
11. Scroll down to the bottom of the page, **Select Submit**.

IP-1522LR

LOGIC / RELAY MODULE



QUICK START GUIDE

SETTING UP CONTROL/LOGIC ON AtlasIED IP-1522LR

Conditional tasks occur (run) if certain conditions are met. Conditional tasks are made by comparing specified resources using simple and/or (Boolean) logic. For example, if a digital input goes on, send SNMP Trap.

1. Go the **CONTROL/LOGIC Tab > Tasks/Functions**. In the CONDITIONAL section select **Add Conditional Task+**.

CONDITIONAL + Add Conditional Task +

Name	Trigger	Actions	Edit
------	---------	---------	------

Edit Conditional Task: All Clear Message

Task Name:

If:

TRIGGER

Triggers ONLY occur when conditions change to true. The logic operations are event driven, and are not combinational. Conditions must change to false and back to true to re-trigger.

Condition 1:

Status Is:

Or

Condition 2:

During: Always Set Time

2. In the Task Name field, enter a description of the task. For example, **All Clear Message**.
3. In the Trigger section, Condition 1: field, select **Digital Input 1** from the drop-down list.
4. In the Trigger section, Status is: field, select **On** from the drop-down list.

Then:

ACTIONS

Actions only occur at the moment the trigger status changes to true. Note that you MUST create a second task if the condition must change when the trigger status becomes false.

Set Action 1:

Set Action 2:

Set Action 3:

5. In the Actions section, Set Action 1: field, select **Send SNMP Trap For Cond 1 I/O Value** from the drop-down.
6. Scroll down to the bottom of the page and select **Save Changes**.

To configure Logic Input 2, follow the steps above then in the Trigger section, Condition 1: field, select Digital Input 2 from the drop-down list.

IP-1522LR

LOGIC / RELAY MODULE



QUICK START GUIDE

AtlasIED IP-1522LR MANAGEMENT INFORMATION BASE (MIB) INFO

InformaCast Fusion M2M Contact Closure Input Port Information.

Each AtlasIED IP-1522LR contact closure ports have a unique set of SNMP object identifiers (OIDs) used to trigger an InformaCast broadcast/s. The tables below list the appropriate values needed to configure InformaCast Fusion's M2M contact closure input ports.

GPIO INPUT PORT	OID	OID VALUES FOR ON	OID VALUES FOR OFF
Digital Input 1	1.3.6.1.4.1.30586.62.4096	1.00	0.00
Digital Input 2	1.3.6.1.4.1.30586.62.4097	1.00	0.00

GPIO INPUT PORT	OID	OID FIELD TYPE	OID VALUES FOR ON	OID VALUES FOR OFF	OID VALUES FOR PULSE
Relay 1	1.3.6.1.4.1.30586.62.0.3.0	String	1.000	0.000	2.000
Relay 2	1.3.6.1.4.1.30586.62.0.4.0	String	1.000	0.000	2.000

IP-1522LR

LOGIC / RELAY MODULE



QUICK START GUIDE

LIMITED WARRANTY

All products manufactured by AtlasIED are warranted to the original dealer/installer, industrial or commercial purchaser to be free from defects in material and workmanship and to be in compliance with our published specifications, if any. This warranty shall extend from the date of purchase for a period of three years on all AtlasIED products, including SOUNDOLIER brand, and ATLAS SOUND brand products except as follows: one year on electronics and control systems; one year on replacement parts; and one year on Musician Series stands and related accessories. Additionally, fuses and lamps carry no warranty. AtlasIED will solely at its discretion, replace at no charge or repair free of charge defective parts or products when the product has been applied and used in accordance with our published operation and installation instructions. We will not be responsible for defects caused by improper storage, misuse (including failure to provide reasonable and necessary maintenance), accident, abnormal atmospheres, water immersion, lightning discharge, or malfunctions when products have been modified or operated in excess of rated power, altered, serviced or installed in other than a workman like manner. The original sales invoice should be retained as evidence of purchase under the terms of this warranty. All warranty returns must comply with our returns policy set forth below. When products returned to AtlasIED do not qualify for repair or replacement under our warranty, repairs may be performed at prevailing costs for material and labor unless there is included with the returned product(s) a written request for an estimate of repair costs before any nonwarranty work is performed. In the event of replacement or upon completion of repairs, return shipment will be made with the transportation charges collect.

EXCEPT TO THE EXTENT THAT APPLICABLE LAW PREVENTS THE LIMITATION OF CONSEQUENTIAL DAMAGES FOR PERSONAL INJURY, ATLASIED SHALL NOT BE LIABLE IN TORT OR CONTRACT FOR ANY DIRECT, CONSEQUENTIAL OR INCIDENTAL LOSS OR DAMAGE ARISING OUT OF THE INSTALLATION, USE OR INABILITY TO USE THE PRODUCTS. THE ABOVE WARRANTY IS IN LIEU OF ALL OTHER WARRANTIES INCLUDING BUT NOT LIMITED TO WARRANTIES OF MERCHANTABILITY AND FITNESS FOR A PARTICULAR PURPOSE.

AtlasIED does not assume, or does it authorize any other person to assume or extend on its behalf, any other warranty, obligation, or liability. This warranty gives you specific legal rights and you may have other rights which vary from state to state.

SERVICE

Should your AtlasIED IP-1522LR require service, please contact the AtlasIED warranty department at 1-877-689-8055, ext. 277 to obtain an RA number.

AtlasIED Tech Support can be reached at 1-800-876-3333 or support.atlasied.com.

Visit our website at www.AtlasIED.com to see other AtlasIED products.